

7 Precautions in Handling



Caution:

Failure to observe the following precautions could lead to clutch failure, accidents, and injury.

1. Stacking

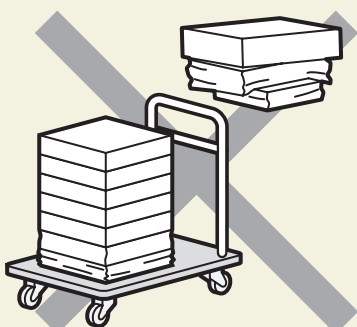
Precaution

Do not place more than four boxes in one stack.

If there are different box sizes, place the largest on the bottom.

Reason

Inappropriate stacking can cause boxes to crush and cause clutch damage.



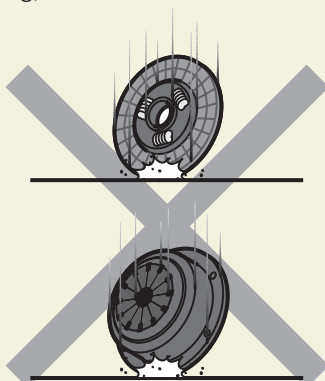
2. Product handling

Precaution

Do not use a clutch that has been dropped.

Reason

The parts that sustained the impact could be damaged and cause problems (e.g. clutch drag).



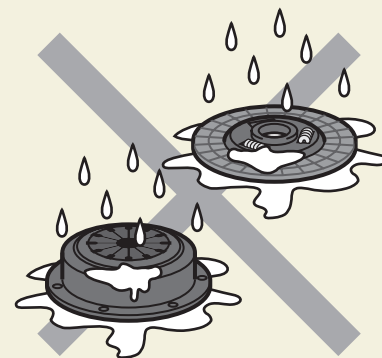
3. Product handling

Precaution

Do not use a clutch that was contaminated with water or oil.

Reason

Oil on the friction surface or rust caused by water could lead to problems (e.g. clutch drag or slipping).



4. Disc Installation

Precaution

Remove excess grease when installing disc.

Reason

Excess grease on the friction surface can cause slipping or shuddering.



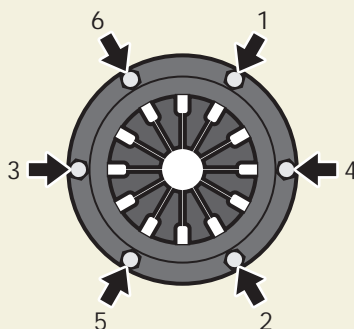
5. Cover Installation

Precaution

Tighten cover bolts in a diagonal (star) pattern. Never use an impact wrench.

Reason

If bolts are torqued in one step, an impact wrench is used, or if bolts are tightened in a circular pattern (not diagonally), it can cause clutch drag or shuddering through lever misalignment.



6. Cover Installation

Precaution

When tightening the cover, use bolts and torque specified from the vehicle manufacturer, using a torque wrench.

Reason

Bolts can break if the vehicle manufacturer's specified bolts are not used or not tightened to torque specifications.

